

Motion detector - Professional Line

IS 3360 MX Highbay

COM1 - surface, sq.

EAN 4007841 033569

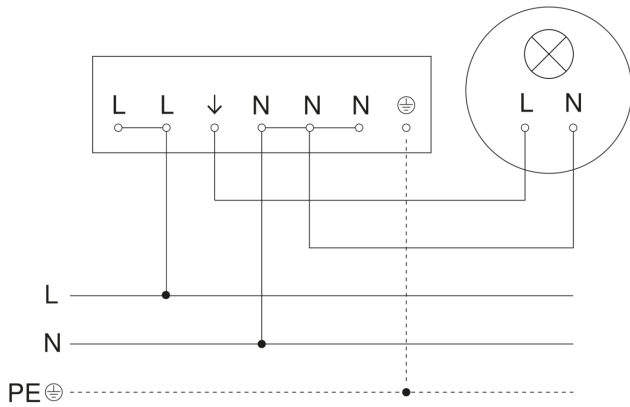
Article number 033569



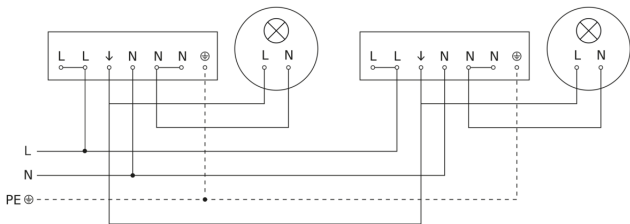
IS 3360 MX Highbay

COM1 - surface, sq.
EAN 4007841 033569
Article number 033569

Master circuit diagram



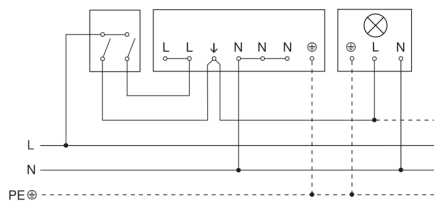
Master/slave interconnection circuit diagram



IS 3360 MX Highbay

COM1 - surface, sq.
EAN 4007841 033569
Article number 033569

Connection using two-circuit switch for manual and automatic operation



Connection of 4-fold push-button coupler to DALI2 APC

